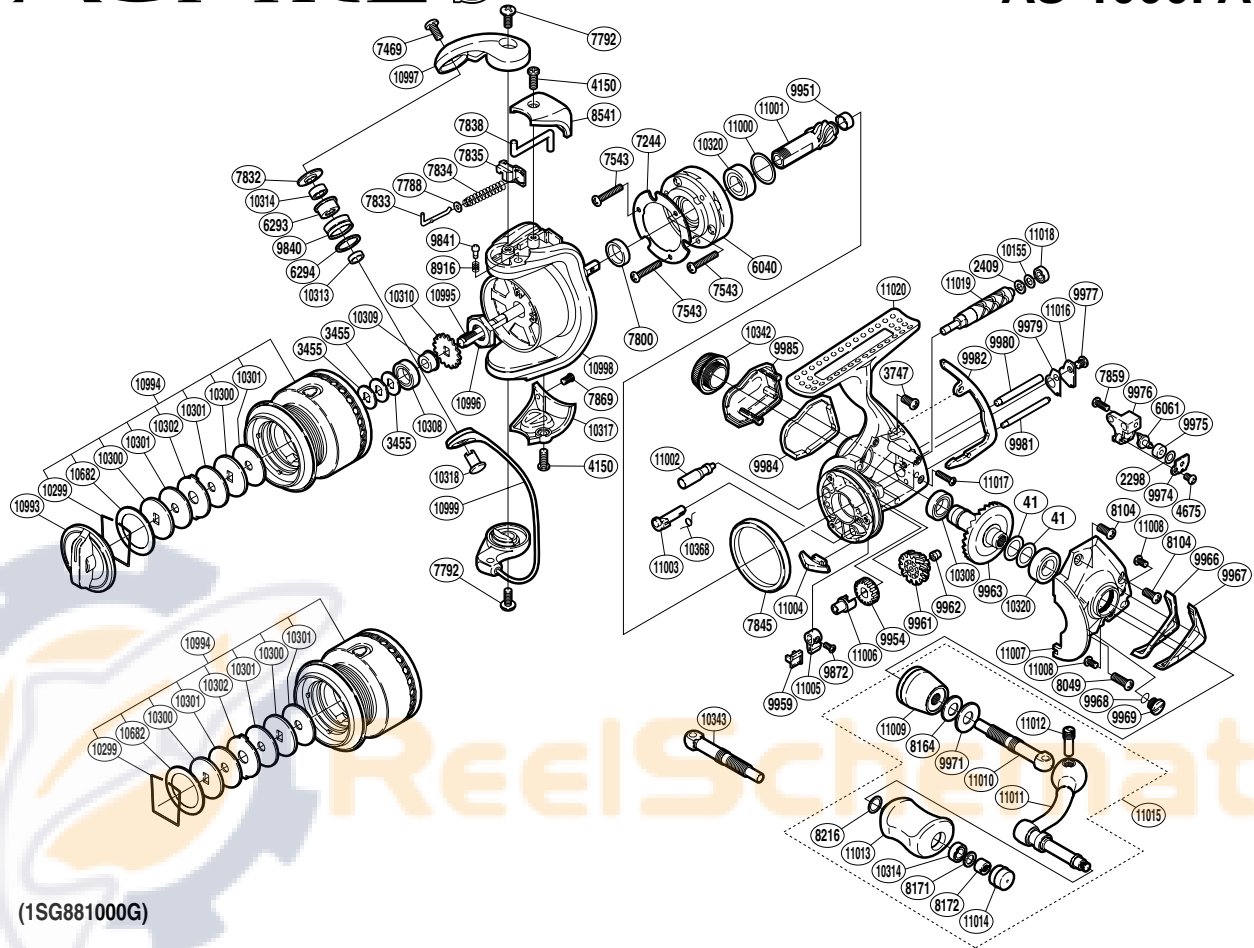


SHIMANO®

ASPIRE SA-RB

AS-1000FA



(1SG881000G)

Part No.	Description	Part No.	Description	Part No.	Description
RD 0041	Washer	RD 9872	Screw	RD10342	Handle Screw Cap
RD 2298	Spacer	RD 9951	Bushing	RD10368	Anti-Reverse Cam Spring
RD 2409	Spacer	RD 9954	Idle Gear	RD10682	Retainer Washer
RD 3455	Spool Washer	RD 9959	Anti-Reverse Lever Cover	RD10993	Drag Knob
RD 3747	Screw	RD 9961	Idle Gear B	RD10994	Spool Assembly
RD 4150	Screw	RD 9962	Idle Gear B Shaft Bushing	RD10995	Main Shaft
RD 4675	Screw	RD 9963	Drive Gear	RD10996	Rotor Nut
RD 6040	Roller Clutch Assembly	RD 9966	Cover (for side cover)	RD10997	Bail Arm
RD 6061	Oscillating Pawl	RD 9967	Side Cover Guard	RD10998	Rotor
RD 6293	Line Roller Bushing	RD 9968	O Ring	RD10999	Bail Assembly
RD 6294	Line Roller Spacer	RD 9969	Oil Cap	RD11000	Washer
RD 7244	Roller Clutch Reinforce	RD 9971	Large Handle Shank Washer	RD11001	Pinion Gear
RD 7469	Screw	RD 9974	Oscillating Pawl Cover	RD11002	Idle Gear B Shaft
RD 7543	Screw	RD 9975	Oscillating Slider Bushing	RD11003	Anti-Reverse Cam
RD 7788	Spring Guide A Support	RD 9976	Oscillating Slider	RD11004	Bail Trip Strike
RD 7792	Screw	RD 9977	Screw	RD11005	Anti-Reverse Lever
RD 7800	Rotor Ring	RD 9979	Worm Shaft Retainer Washer	RD11006	Worm Bushing (front)
RD 7832	Line Roller Washer	RD 9980	Oscillating Guide A	RD11007	Side Cover
RD 7833	Bail Spring Guide A	RD 9981	Oscillating Guide B	RD11008	Screw
RD 7834	Bail Spring	RD 9982	Rear Protector B	RD11009	Handle Shaft Cover
RD 7835	Bail Spring Seat	RD 9984	Rear Shield	RD11010	Handle Shaft (left)
RD 7838	Bail Trip Lever	RD 9985	Rear Protector A	RD11011	Handle Shank Assembly
RD 7845	Friction Ring	RD10155	Spacer	RD11012	Handle Shaft Screw
RD 7859	Screw	RD10299	Drag Washers Retainer	RD11013	Handle Knob
RD 7869	Screw	RD10300	Key Washer	RD11014	Handle Knob Seal
RD 8049	Screw	RD10301	Drag Washer	RD11015	Handle Assembly
RD 8104	Screw	RD10302	Eared Washer	RD11016	Worm Shaft Retainer
RD 8164	Coned Disc Spring	RD10308	Ball Bearing	RD11017	Screw
RD 8171	Washer	RD10309	Bearing Bushing	RD11018	Ball Bearing
RD 8172	Handle Knob Nut	RD10310	Spool Support	RD11019	Worm Shaft
RD 8216	Washer	RD10313	Bearing Spacer	RD11020	Body
RD 8541	Bail Spring Cover	RD10314	Ball Bearing		
RD 8916	Click Spring	RD10317	Bail Hold Support Guard		
RD 9840	Line Roller	RD10318	Line Roller Support		
RD 9841	Click Pin	RD10320	Ball Bearing	RD10343	Handle Shaft (right)

(180530)